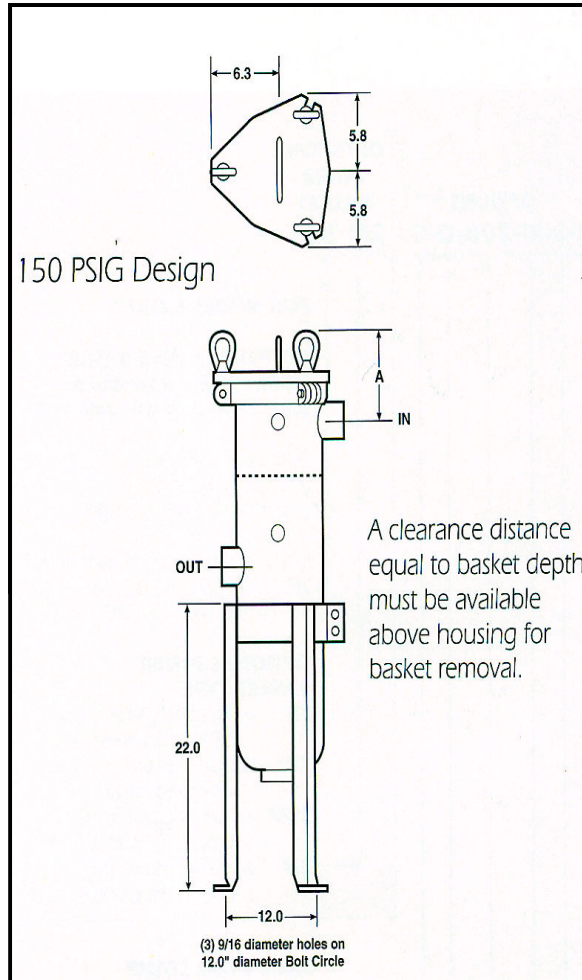




# Knight CK15 Housing

EFFECTIVE: APRIL 2003

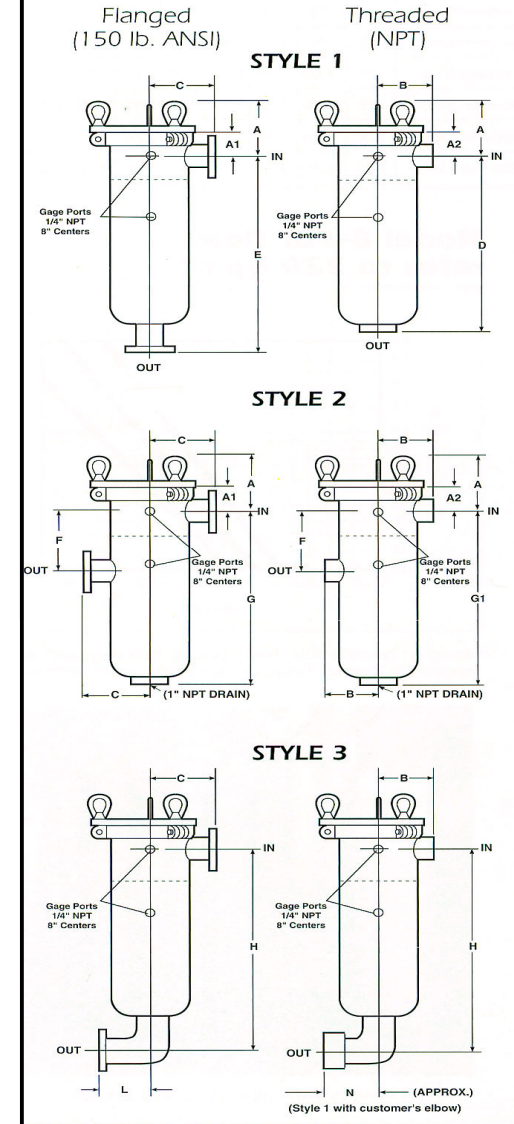
USES P1 SIZE BAG



## FEATURES

- LARGE AREA, HEAVY-DUTY BASKET.
- LOW PRESSURE DROP.
- HOUSING IS PERMANENTLY PIPED.
- O-RING TO SEAL COVER.
- AVAILABLE IN CARBON STEEL, 304 STAINLESS STEEL, OR 316 SS.
- HEIGHT ADJUSTABLE, TRIPOD LEG ASSEMBLY INCLUDED.
- EASY TO CLEAN.
- ASME CODE STAMP (150 OR 300 PSI).
- LIQUID DISPLACERS AVAILABLE.
- EYENUT COVER PERMITS HIGHER PRESSURE THAN CLAMP DESIGN.

## Outlet Styles



CK15 DIMENSIONS (INCHES, APPROXIMATE)														
PIPE SIZE	A	A1	A2	B	C	D	E	F	G	G1	H	H1	L	N
2"	6.6	2.9	2.9	5.9	7.5	21.2	23.5	4.9	21.0	21.0	23.2	23.2	5.0	4.06
3"	7.5	3.7	3.7	6.8	7.5	22.5	24.6	6.6	21.9	21.9	25.4	25.4	7.25	6.12
4"	7.5	3.7	5.0	6.8	8.6	22.5	25.1	8.4	21.9	20.6	26.8	25.6	9.0	7.75

