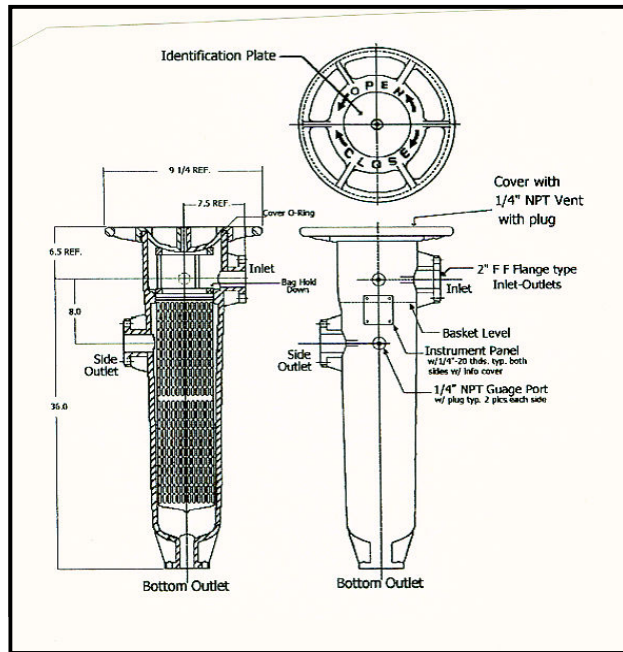




Knight PRK30 Housing

PLASTIC HOUSING, USES P2 BAG

PART# PRK302F*100PPY



CONSTRUCTION:

- ALL MOLDED CONSTRUCTION.
- MATERIALS OF CONSTRUCTION:
10% GLASS REINFORCED
CHEMICALLY COUPLED POLYPROPYLENE
& HOMOPOLYMER WITH UV STABILIZER
- PRESSURE RATINGS:
100 PSIG @ 60 TO 150 DEGREES FARENHEIT
80 PSIG @ 40 DEGREES FARENHEIT
50 PSIG @ 180 DEGREES FARENHEIT
- FILTER BAG BASKET: UNFILLED POLYPRO
TOTAL AREA: 4.4 SQUARE FEET
35% OPEN AREA
- ASME CODE STAMP FOR 150 OR 300 PSI.
- O-RING MATERIAL: BUNA, EPR, TEV, & VITON

COMPONENTS INCLUDED:

- VENT & GAUGE PORTS
- HOLD-DOWN
- O-RING
- BLIND FLANGE WITH 1/4" NPT THREAD
& WITH PLUG.

OPTIONAL EQUIPMENT:

- LEG ASSEMBLY
- COVER VENT VALVE
- THREADED FLANGES
- DUPLEX ARRANGEMENT
- MULTIPLEX ARRANGEMENT

